



EAGLE-CLIP ALUMINUM Z CLIP HANGING SYSTEM

Since 1989, Eagle Mouldings has been supplying a wide variety of superior custom aluminum extruded products. These aluminum extrusions include an entire line of custom aluminum Z clips and panel hanging products. We supply aluminum extrusions to architects, engineers, designers, project managers and contractors.

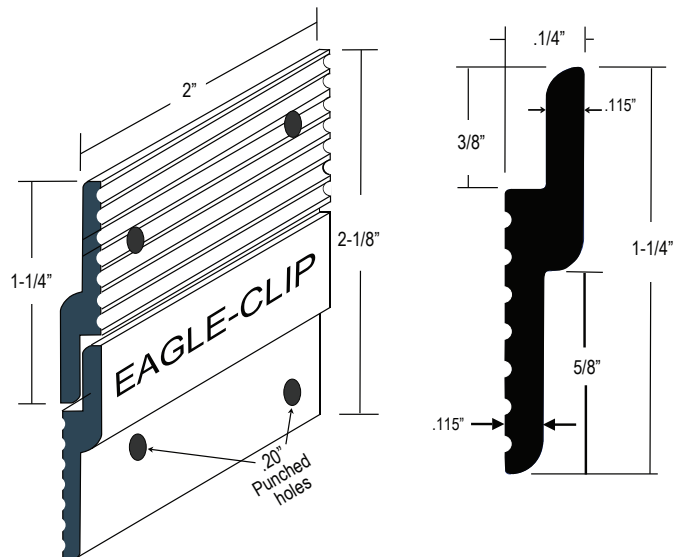
EAM-375

Sizes:

- 2" Eagle Clips
- 6' lengths
- 12' lengths

Description/features:

- 6063-T6 Alloy and temper in accordance with ASTM B 221
- 3/8" lift off
- 1/4" stand off
- Continuous lengths are available with pre-punched holes every 8" on center
- Custom sizes and hole locations available



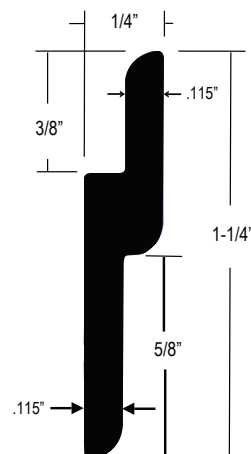
EAM-375-S

Sizes:

- 2" Eagle Clips
- 6' lengths
- 12' lengths

Description/features:

- 6063-T6 Alloy and temper in accordance with ASTM B 221
- 3/8" lift off
- 1/4" stand off
- Continuous lengths are available with pre-punched holes every 8" on center
- Custom sizes and hole locations available



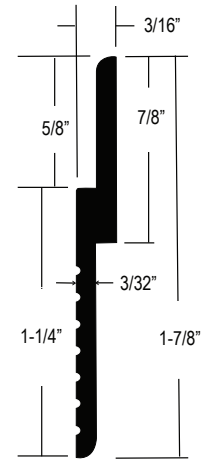
EAM-62518

Sizes:

- 1-1/2" Eagle Clips
- 6' lengths
- 12' lengths

Description/features:

- 6063-T6 Alloy and temper in accordance with ASTM B 221
- 5/8" lift off
- 3/16" stand off
- Continuous lengths are available with pre-punched holes every 8" on center
- Custom sizes and hole locations available



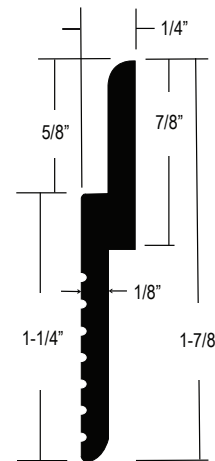
EAM-62525

Sizes:

- 1-1/2" Eagle Clips
- 6' lengths
- 12' lengths

Description/features:

- 6063-T6 Alloy and temper in accordance with ASTM B 221
- 5/8" lift off
- 1/4" stand off
- Continuous lengths are available with pre-drilled holes every 8" on center
- Custom sizes and hole locations available



EAM-2525

Sizes:

- 2" Eagle Clips
- 6' lengths
- 12' lengths

Description/features:

- 6063-T6 Alloy and temper in accordance with ASTM B 221
- 1/4" lift off
- 1/4" stand off
- Continuous lengths are available with pre-drilled holes every 8" on center
- Custom sizes and hole locations available

